

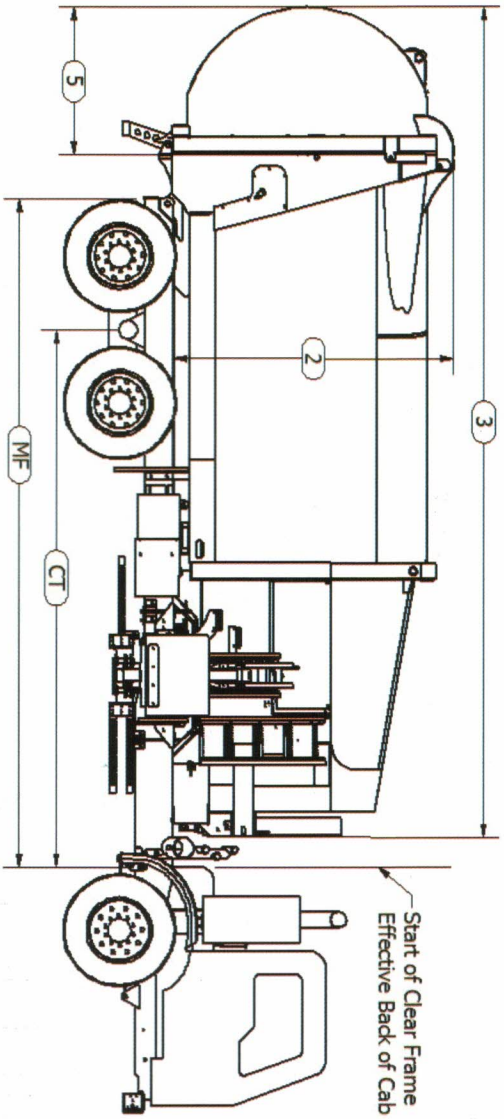
LOADMASTERTM

www.loadmaster.org

906.563.9226

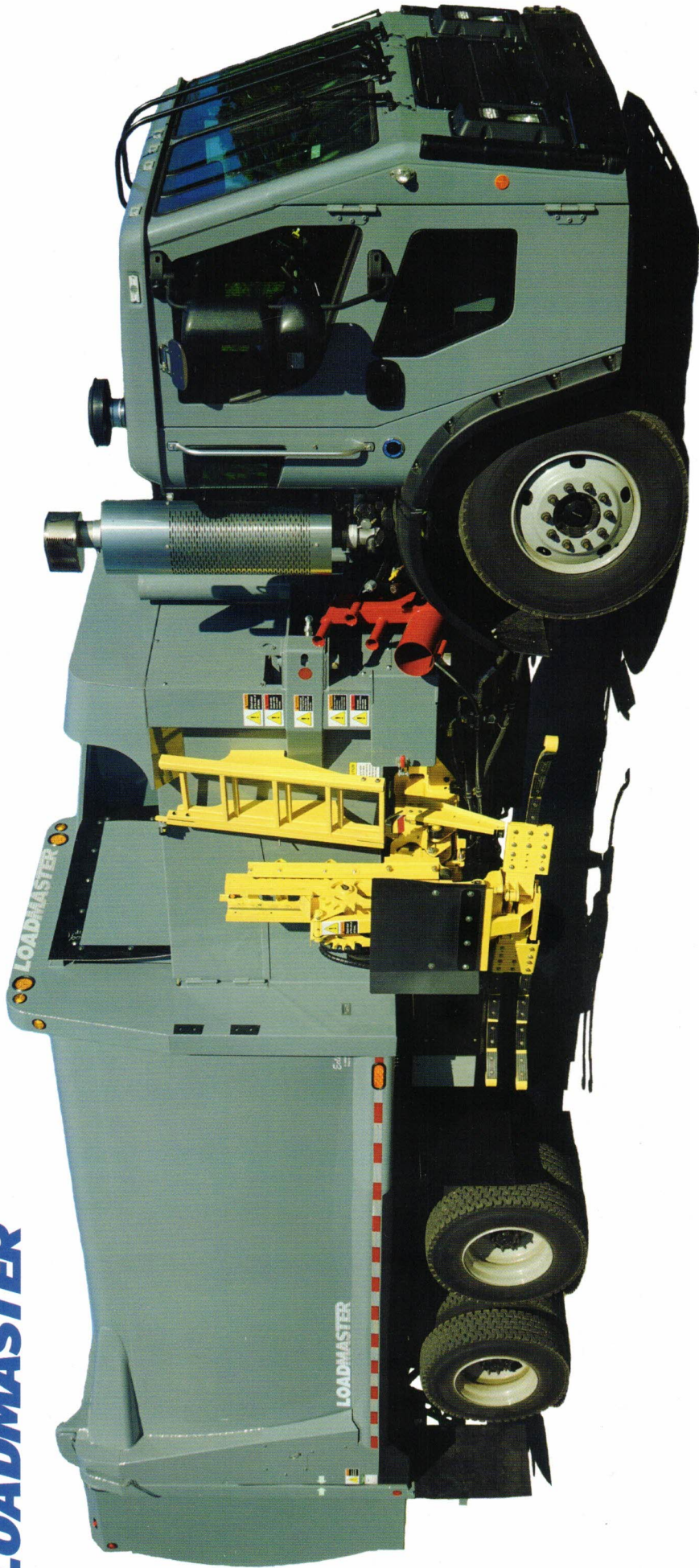


Eclipse



LOADMASTER *Scalpac* DIMENSIONAL SPECIFICATIONS

1 AVAILABLE VOLUMES	25 YD ³	28 YD ³	31 YD ³	34 YD ³
2 HEIGHT ABOVE FRAME	107"	107"	107"	107"
3 OVERALL LENGTH	270"	294"	315"	335"
4 OVERALL WIDTH	96"	96"	96"	96"
5 BODY TO REAR OF TAILGATE	9"	33"	54"	54"
6 APPROX BODY WEIGHT	16,800 LBS	17,500 LBS	18,400 LBS	18,800 LBS
7 HOPPER CAPACITY	6.4 YD ³	6.4 YD ³	6.4 YD ³	6.4 YD ³
8 TAILGATE CAPACITY	1 YD ³	4 YD ³	7 YD ³	7 YD ³
9 BODY (ONLY) CAPACITY	24 YD ³	24 YD ³	24 YD ³	27 YD ³



CHASSIS RECOMMENDATIONS FOR *Sclipse*

BODY SIZE	MINIMUM GVWR	MINIMUM FRONT GAWR	MINIMUM REAR GAWR	USABLE CT/CA	MINIMUM REQUIRED FRAME
25 YD ³	54,000	18,000	36,000	196"	260"
28 YD ³	58,000	18,000	40,000	200"	260"
31 YD ³	64,000	20,000	44,000	204"	260"
34 YD ³	66,000	20,000	46,000	224"	280"